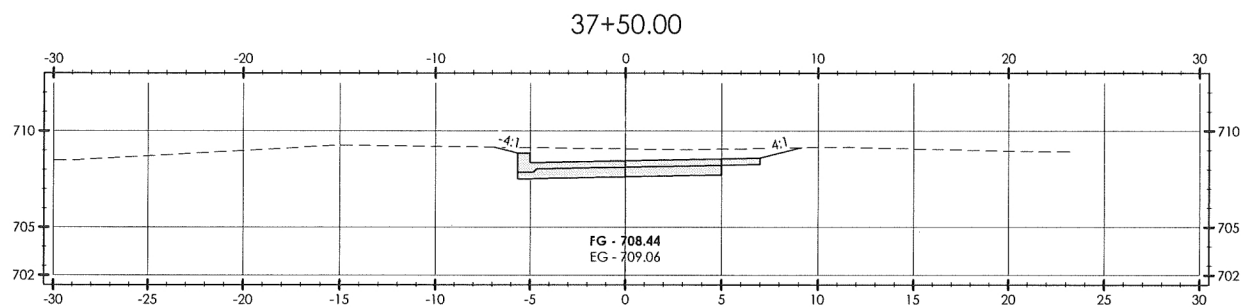
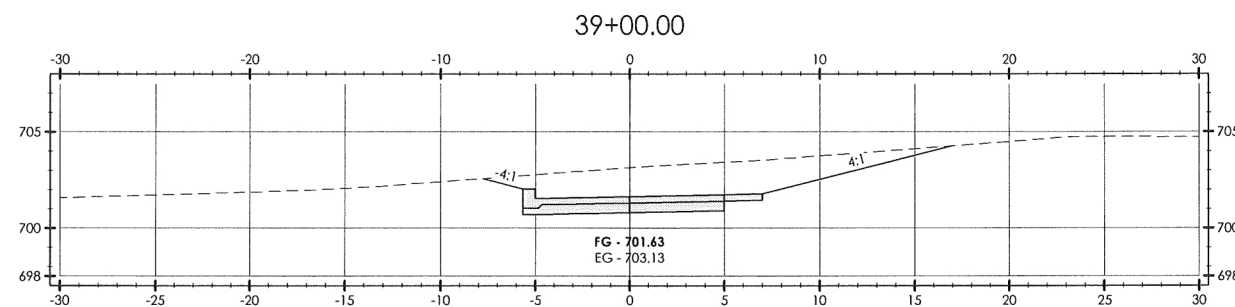


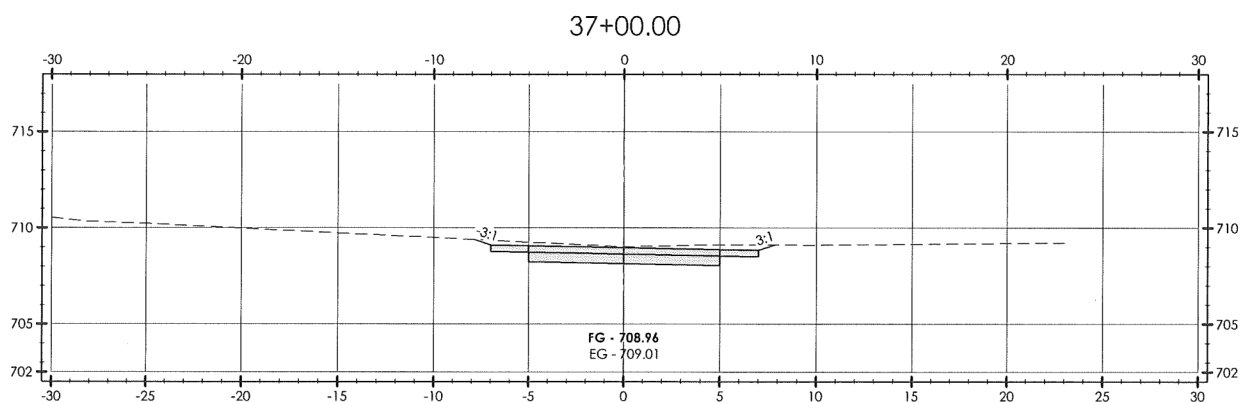
OKLAHOMA DEPARTMENT OF TRANSPORTATION					
FED. ROAD DIST. NO.	STATE	PROJ. NO.	FISCAL YEAR	SHEET NO.	TOTAL SHEETS
6	OKLA.	28844(04)			
DESCRIPTION			REVISIONS	DATE	



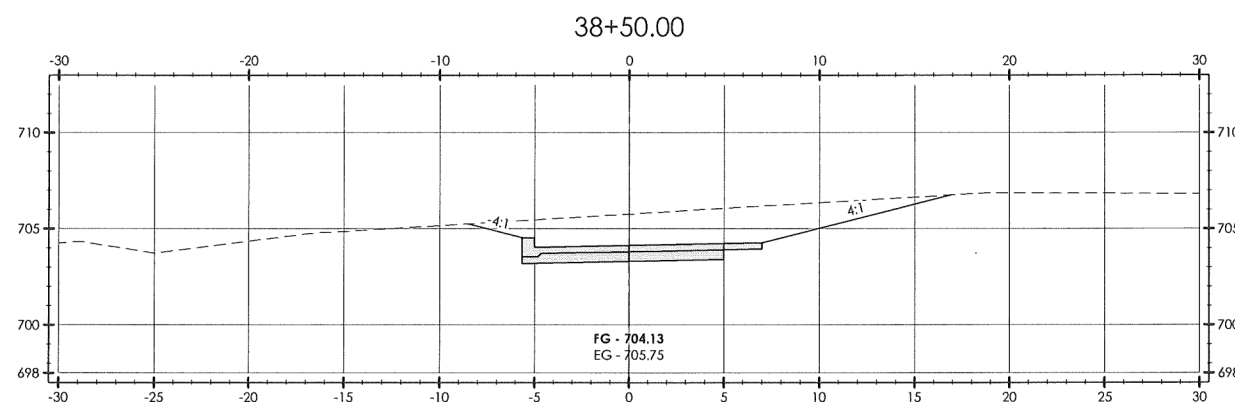
Trail Station 37+50.00	
Cut Area	17.28 SF
Cut Vol	27.62 CY
Fill Area	0.00 SF
Fill Vol	0.00 CY



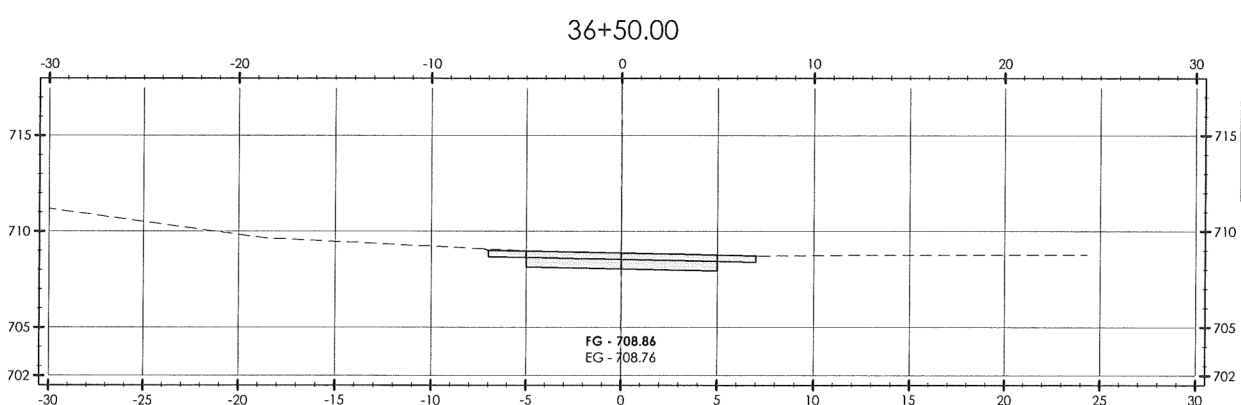
Trail Station 39+00.00	
Cut Area	37.31 SF
Cut Vol	72.65 CY
Fill Area	0.00 SF
Fill Vol	0.00 CY



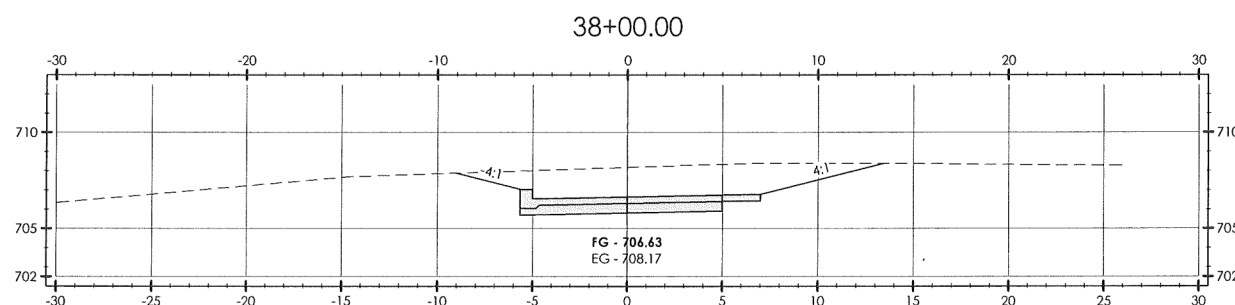
Trail Station 37+00.00	
Cut Area	12.54 SF
Cut Vol	20.22 CY
Fill Area	0.00 SF
Fill Vol	0.00 CY



Trail Station 38+50.00	
Cut Area	40.39 SF
Cut Vol	70.56 CY
Fill Area	0.00 SF
Fill Vol	0.00 CY

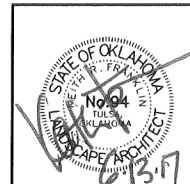


Trail Station 36+50.00	
Cut Area	9.29 SF
Cut Vol	17.44 CY
Fill Area	0.00 SF
Fill Vol	0.00 CY



Trail Station 38+00.00	
Cut Area	35.22 SF
Cut Vol	48.73 CY
Fill Area	0.00 SF
Fill Vol	0.00 CY

F:\682 Sand Springs Park Road Trail\Final\Civil 3D - Base Files\ParkRoadTrail\Final\Trail-BASE-Final-R1.dwg, 6/12/2017 4:04:32 PM



City of Sand Springs - Park Road Trail  
 PREPARED BY: LANDPLAN CONSULTANTS  
 1110 W. 22nd Street TULSA, OK 74107

Design	JM	7/16
Drawn	JM/BB	8/16
Checked	KF/JJM	6/17
Approved		
Squad	LandPlan	

Tulsa County  
**CROSS SECTIONS SHEET (13)**  
 STATE JOB NO. 28844(04) Sheet No. 56 of 62